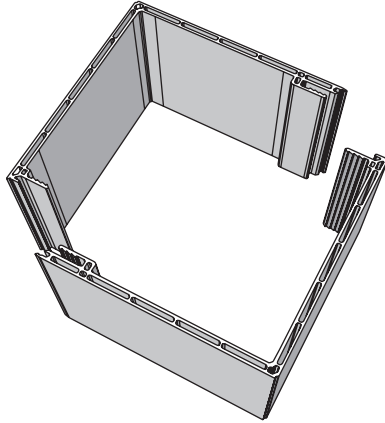


## IMPORTANT INSTALLATION STEPS (PATENT PENDING)

### STEP 1

Measure height of column. Cross cut the two half columns approximately 1/2" shorter to allow for column to fit into opening and to have expansions clearance.



### STEP 2

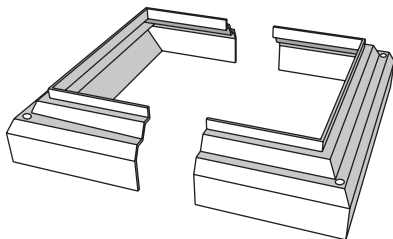
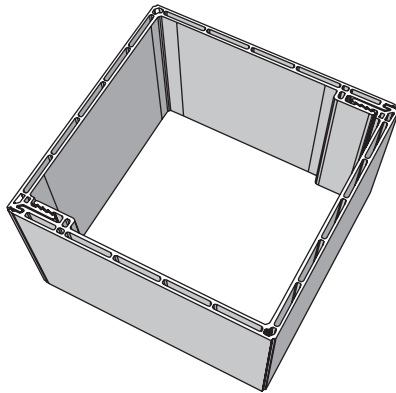
Once the two half columns are standing upward, make sure that the bottom lines up with the tongue and groove at each side.

Now you are ready to snap them together from the bottom up.

### STEP 3

Once both corners are closed at each side, **REMEMBER** to install split bases at the top and bottom.

Make sure the column is plumb before screwing the base in place.



### STEP 4

Install screws and then base plugs to hide screw holes.

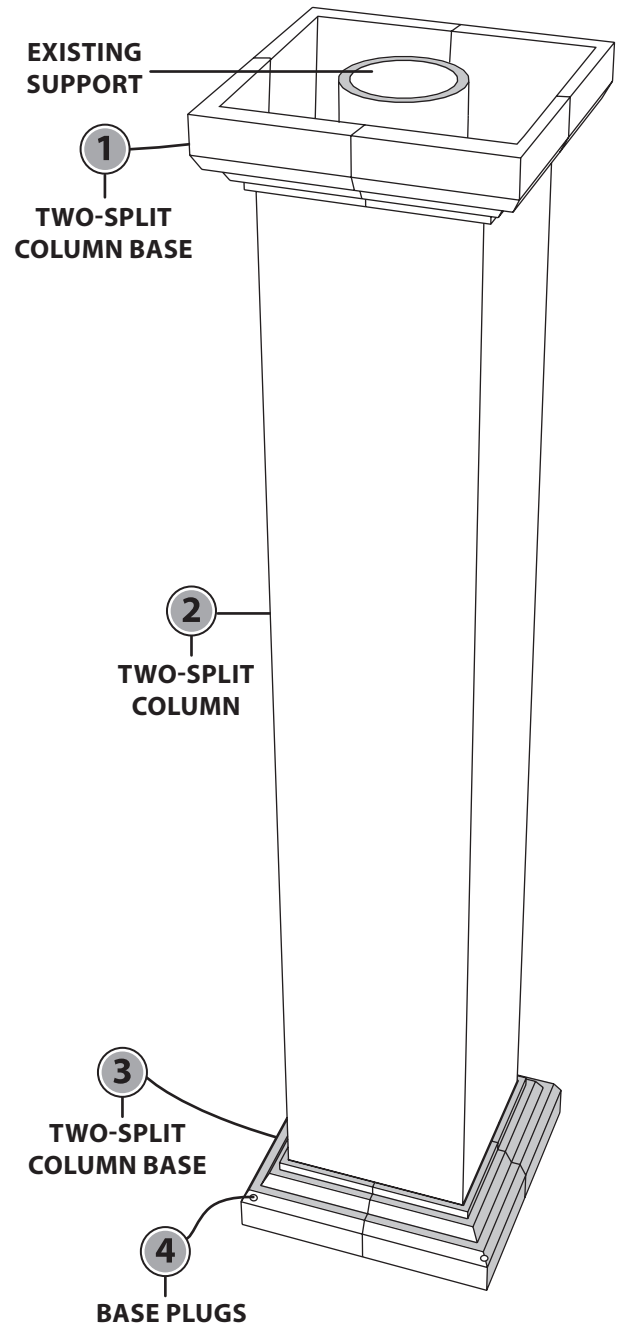
**Install split base at top and bottom of split column using 2 parts by snapping together. Next, apply fasteners to ceiling and floor; don't forget to plumb column.**

### CARE & CLEANING

If you wish to wipe the column clean, use a damp cloth with dishwashing detergent.

## 7" SQUARE SPLIT COLUMN (NON-STRUCTURAL) INSTALLATION GUIDE

(Fasteners not included)



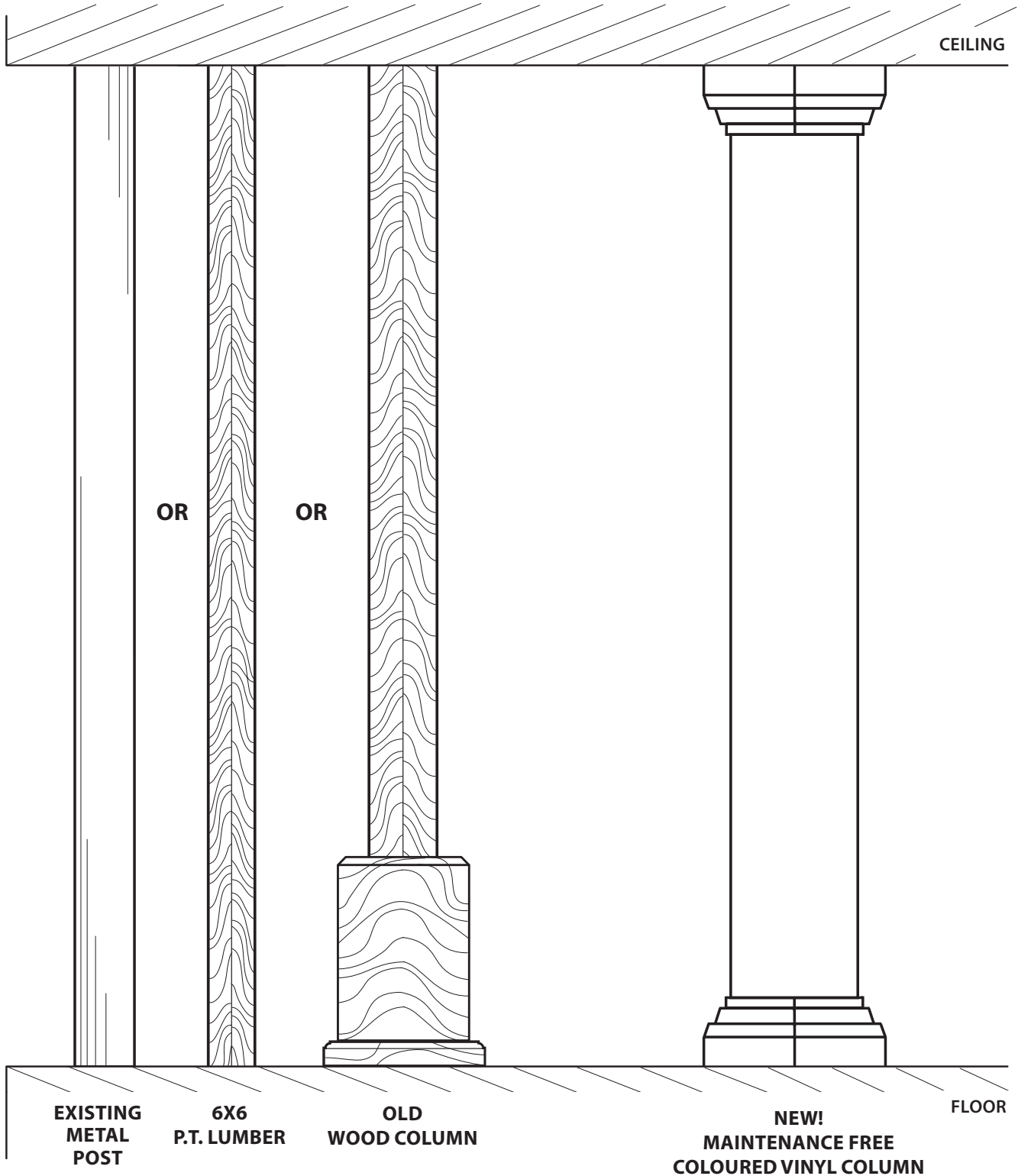
### Alpa Outdoor Products

100 Exchange Drive, Units 6 & 7  
Brampton, ON L6S 0C8  
www.alpaoutdoor.com

Tel: 905.796.6631 Fax: 905.796.8790  
Technical Support: 1.877.996.8790

**YOUR EXISTING OLD COLUMNS  
CAN BE COVERED WITH...**

**YOUR NEW  
COLUMN!**



**IMPORTANT**

**\*\* NOTE \*\***

**IMPORTANT**

Always check the integrity of your old support column prior to using the ALPA Two-Split (Non-structural) column. Consult a professional engineer if wood-rot is present. Never enclose an old, rotten wood support without providing a new support in its place.