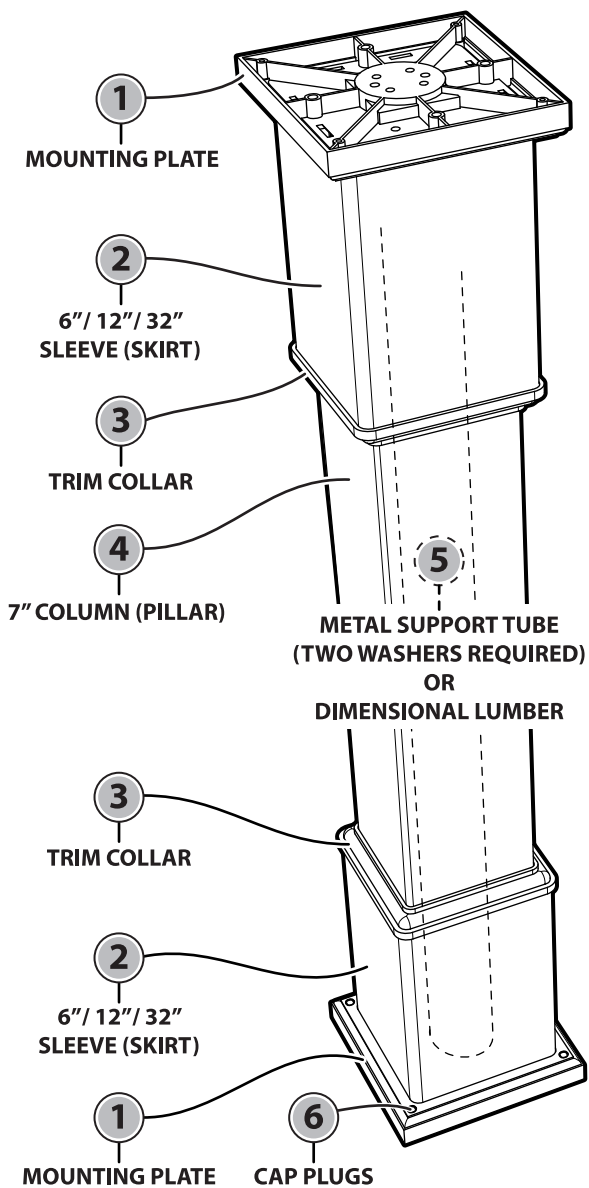




# 7" SQUARE PORCH COLUMN (PILLAR) INSTALLATION GUIDE

## COLUMN COMPONENTS

(Internal support and fasteners are not included)



## IMPORTANT REVIEW ALL INSTRUCTIONS BEFORE ASSEMBLING COLUMN

ALP-CIG-V003

## NON-LOAD BEARING INSTALLATION

For non-load bearing applications column may be used without an internal support.

## LOAD BEARING INSTALLATION

For load bearing applications an internal support MUST be used.

## FASTENERS

All appropriate fasteners are to be supplied by installer and be of a non-corrosive quality.

### STEP 1

Measure vertical opening.

For load bearing applications:

If using dimensional lumber (laminated 2"x4" shown) cut it 1" shorter than overall height.

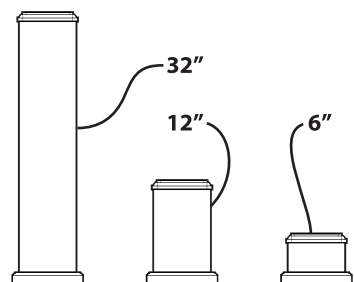
OR

If using aluminum support tube, cut it 1-1/8" shorter than overall height.

Cut vinyl column 2-1/4" shorter than the overall height to place the entire load on the internal support and allow for thermal expansion.

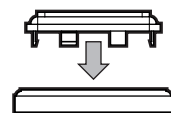
### STEP 2

The mounting plate, trim collar and the 6", 12" or 32" sleeve (skirt) will be pre-assembled for ease of installation.

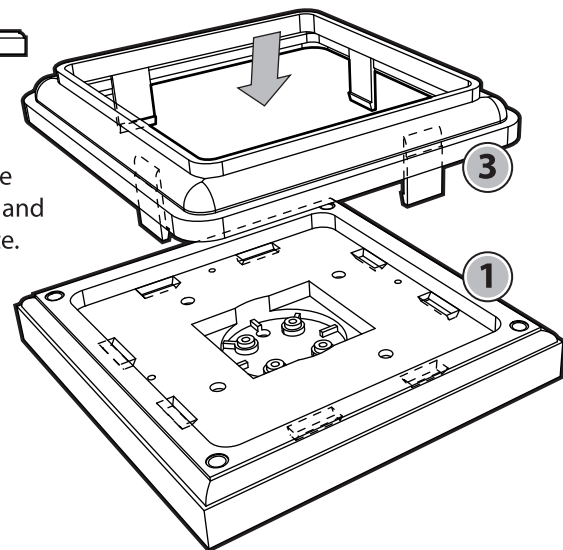


If you have received these components as separate pieces, please follow the steps outlined to the right in step 3.

## ALTERNATIVE ASSEMBLY WITHOUT SLEEVE (SKIRT)

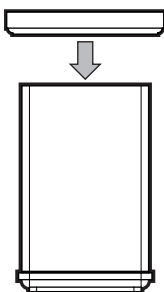
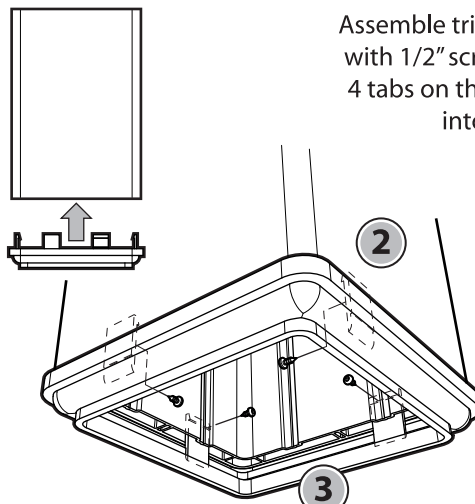


Snap into place the trim collar and mounting plate.

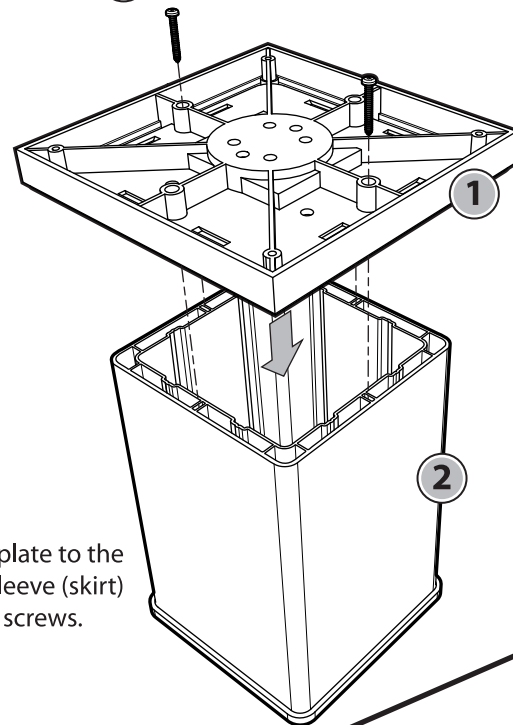


### STEP 3

Assemble trim collar to sleeve with 1/2" screws through the 4 tabs on the trim collar and into sleeve.



Attach mounting plate to the other end of the sleeve (skirt) with at least 2 screws.

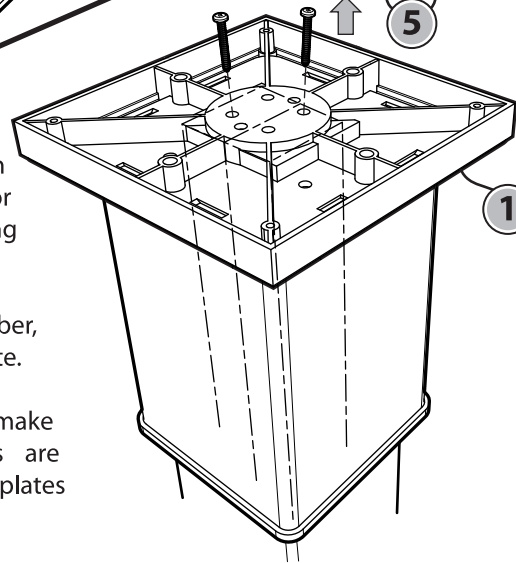
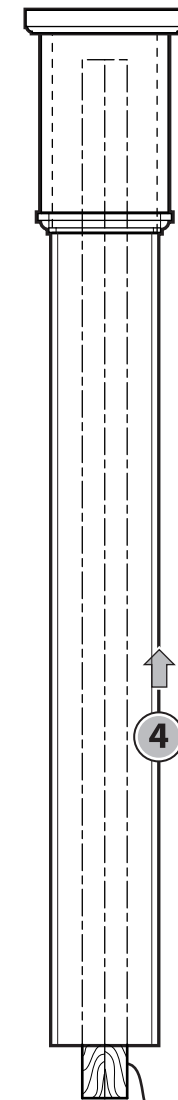


Slide vinyl column along with the dimensional lumber or support tube into mounting plate.

When using dimensional lumber, centre it on the mounting plate.

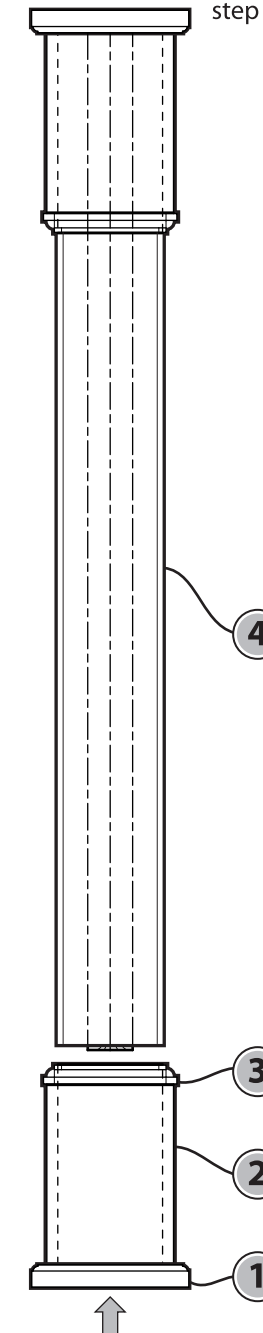
When using a support tube, make sure that support washers are inserted into the mounting plates prior to assembly.

### STEP 4



### STEP 5

Attach other mounting plate assembly (steps 2 or 3) to internal support as in step 4.



### CARE & CLEANING

Ordinary dirt and mud usually washes off with a hose. At times it may be necessary to use a non-abrasive household cleaner to remove residue and then rinse with a hose.

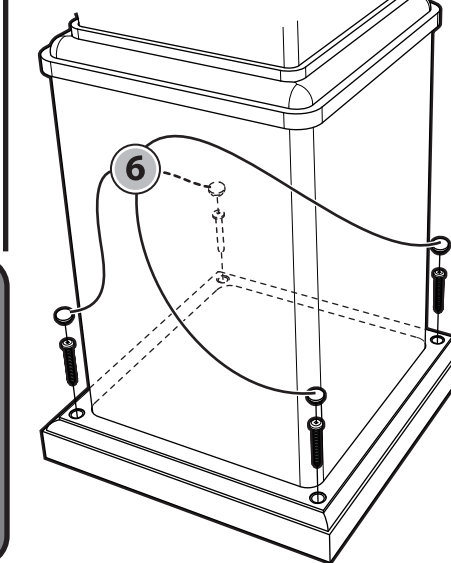
### STEP 6



Set assembly in place.

Attach mounting plates to porch or ceiling with non-corrosive screws, one screw per corner.

Cover holes with cap plugs, gluing in place.



Alpa Ontario Railing Inc.

101 Glidden Road, Brampton, Ontario L6T 3W6

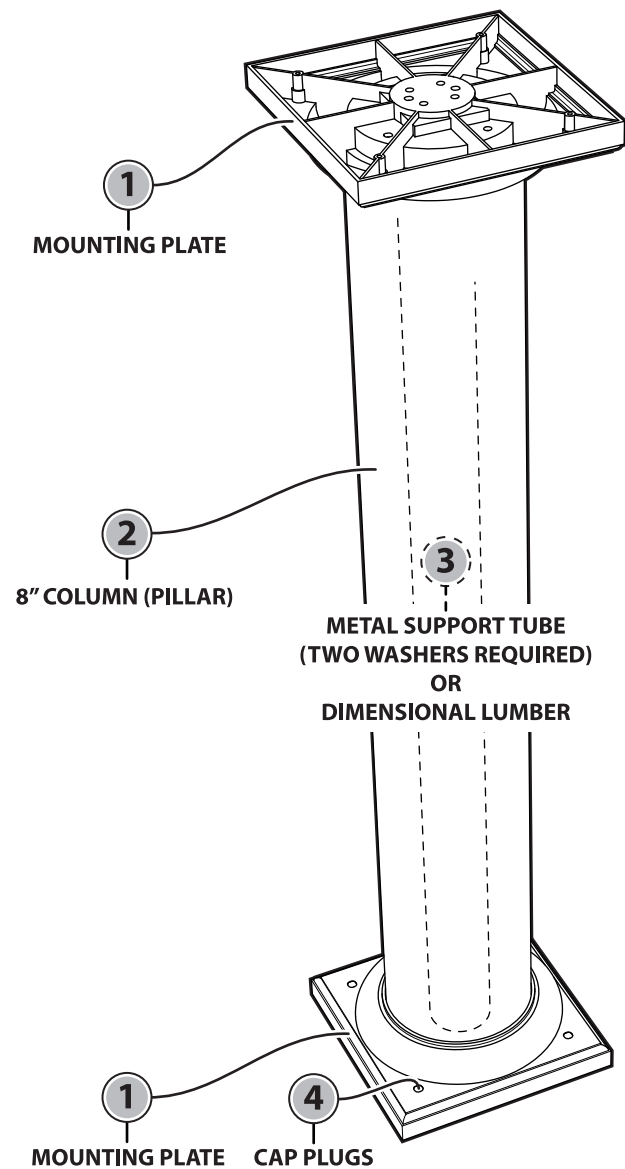
Tel: (905) 796-6631 Fax: (905) 796-8790



# 8" DIAMETER PORCH COLUMN (PILLAR) INSTALLATION GUIDE

## COLUMN COMPONENTS

(Internal support and fasteners are not included)



## IMPORTANT REVIEW ALL INSTRUCTIONS BEFORE ASSEMBLING COLUMN

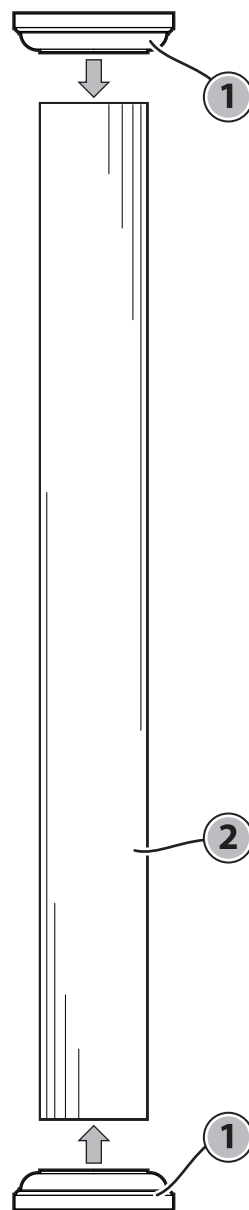
### FOR NON-LOAD BEARING INSTALLATION

#### STEP 1

Measure vertical opening and cut column to length.

#### STEP 2

Assemble the top and bottom mounting plates with the column.



#### STEP 3

Please see FINAL STEP for details.

## NON-LOAD BEARING INSTALLATION

For non-load bearing applications column may be used without an internal support.

### FOR LOAD BEARING INSTALLATION

#### STEP 1

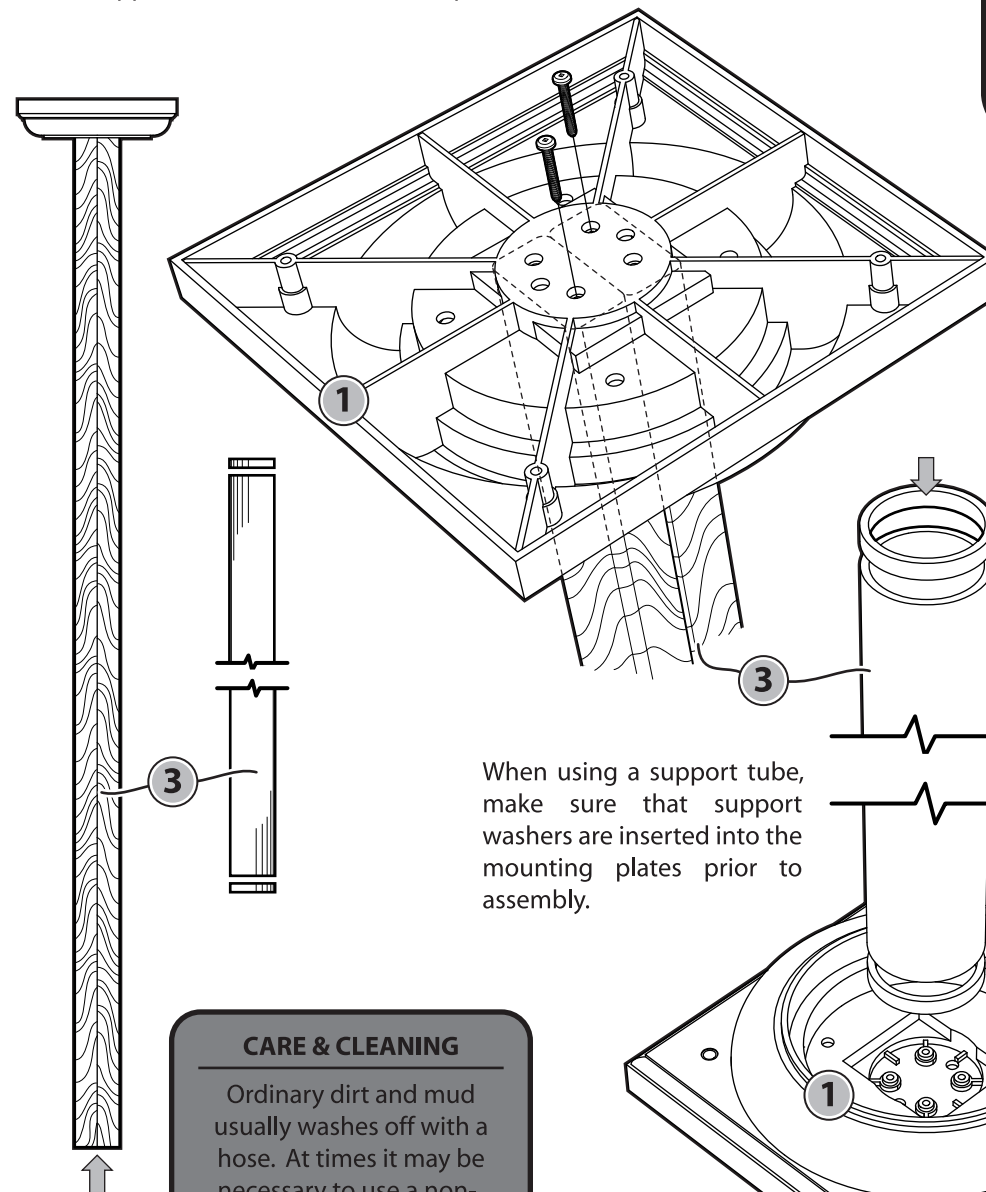
Measure vertical opening.

If using dimensional lumber (laminated 2"x4" shown) cut it 1" shorter than overall height.

OR

If using aluminum support tube, cut it 1-1/8" shorter than overall height.

Cut vinyl column 2-1/4" shorter than the overall height to place the entire load on the internal support and allow for thermal expansion.



When using a support tube, make sure that support washers are inserted into the mounting plates prior to assembly.

#### CARE & CLEANING

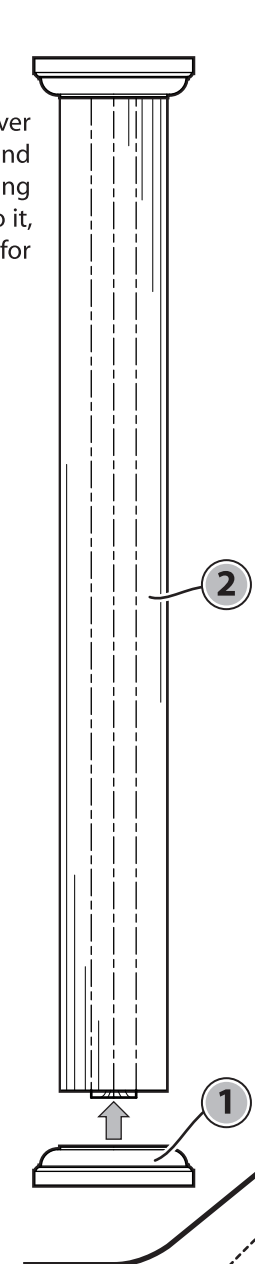
Ordinary dirt and mud usually washes off with a hose. At times it may be necessary to use a non-abrasive household cleaner to remove residue and then rinse with a hose.

## LOAD BEARING INSTALLATION

For load bearing applications an internal support MUST be used.

#### STEP 2

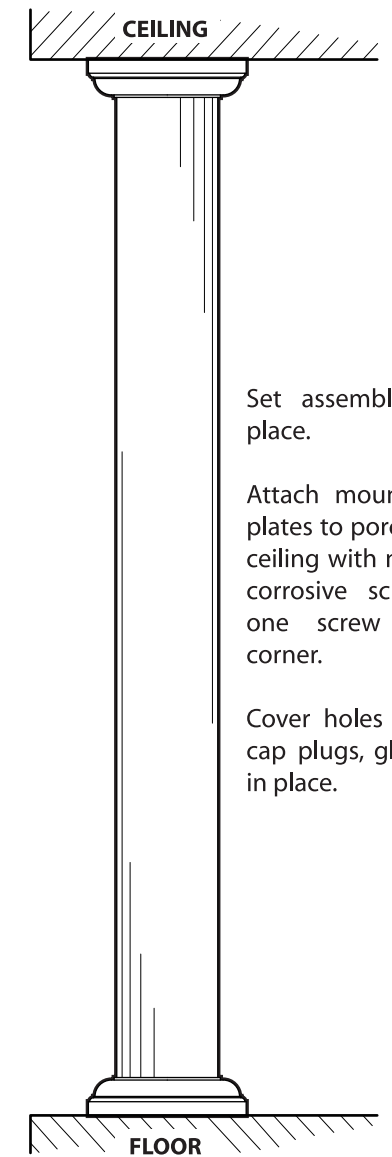
Slide column over internal support and attach remaining mounting plate to it, see previous step for details.



## FASTENERS

All appropriate fasteners are to be supplied by installer and be of a non-corrosive quality.

#### FINAL STEP



Set assembly in place.

Attach mounting plates to porch or ceiling with non-corrosive screws, one screw per corner.

Cover holes with cap plugs, gluing in place.